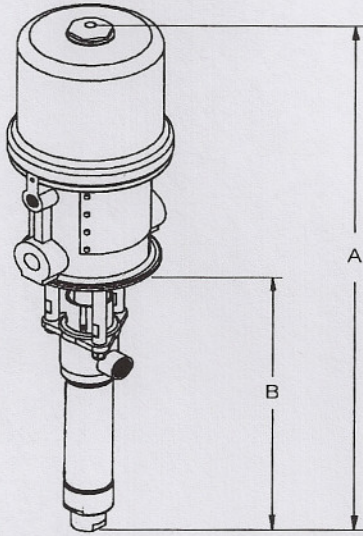
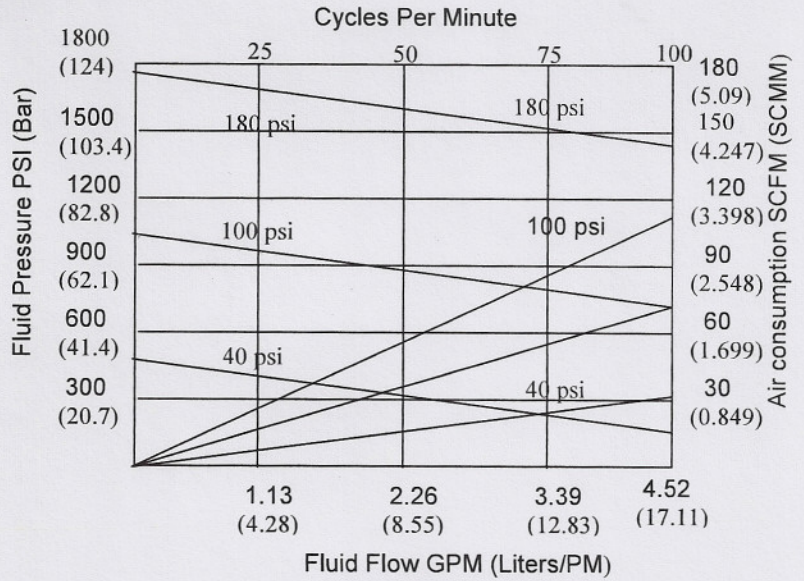


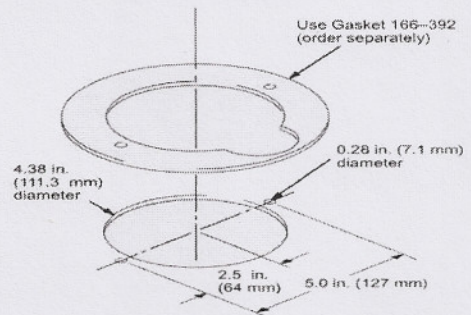
## Performance graphs for IP05 series pump



Model	A	B
IP05 Drum	54.75"	42.625"
IP05 Stubby	25.21"	13.75"

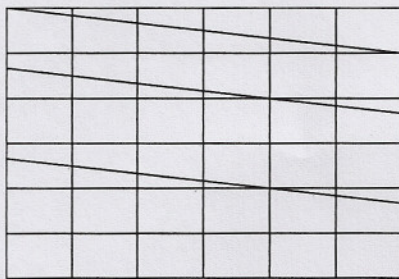


### Mounting Hole Layout



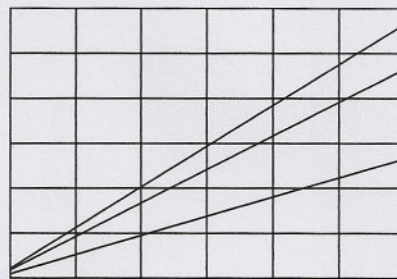
### How to read performance graphs

#### Pressure/Flow



1. Locate required flow along bottom edge of chart.
2. Follow vertically to bold line for input air pressure.
3. Follow horizontally to left edge of chart to read maximum available fluid pressure.

#### Air consumption



1. Locate fluid flow along bottom edge of chart.
2. Follow vertically to bold line for input air pressure.
3. Follow horizontally to right edge of chart to read air consumption.