

820301, 820302, 820303



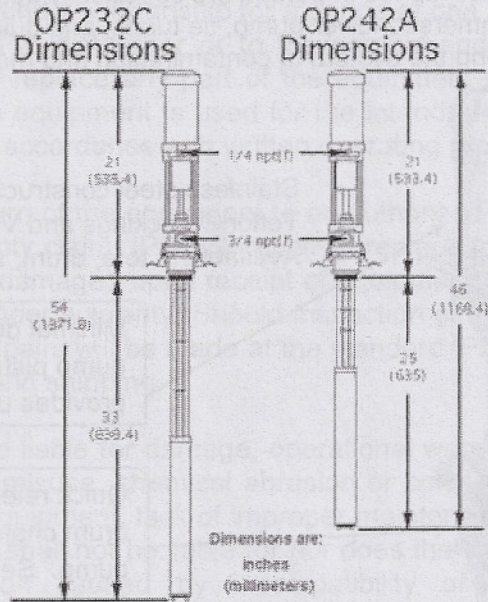
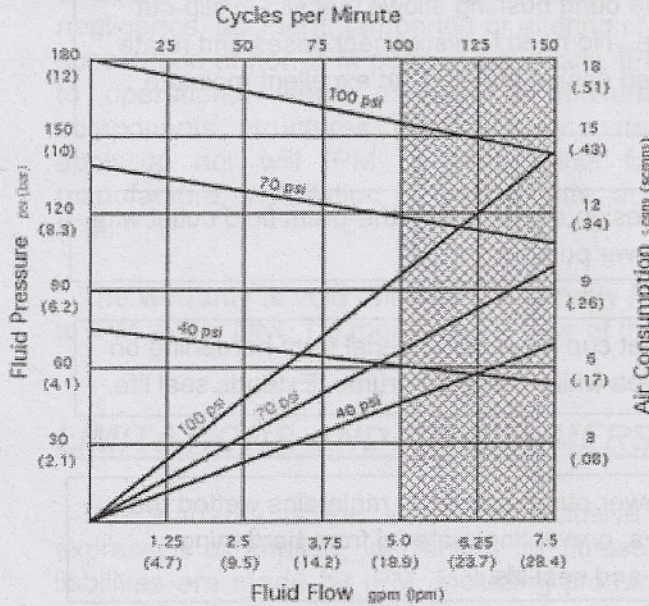
# Air Operated Fluid Pump

Divorced Design

## Technical Specifications

Fluid Ratio.....	2:1
Maximum Output Flow (intermittent).....	7.5 gpm (28.4 lpm)
Maximum Output Flow (continuous).....	5.0 gpm (18.9 lpm)
Maximum Output Pressure.....	360 psi (24.8 bar)
Maximum Air Input Pressure.....	180 psi (12.4 bar)
Air Inlet Port.....	1/4 npt(f)
Fluid Outlet Port.....	3/4 npt(f)
Rod & Piston Packings.....	UHMW PE or Teflon®
Other Seals.....	Viton®
Rod & Cylinder.....	Stainless Steel
Other Wetted Parts.....	Stainless Steel
Weight.....	24 lbs. (11.8 Kg.)
<b>Package Dimensions &amp; Weight:</b>	
OP232C.....	6"x6"x58"(152mm x 152mm x 147cm) 26 lbs. (11.8 Kg.)
OP242A.....	6"x6"x50"(152mm x 152mm x 127cm) 26 lbs. (11.8 Kg.)

## Performance



## How to Read Performance

### Pressure/Flow

1. Locate required flow along bottom edge of chart.
2. Follow vertically to bold line for input air pressure.
3. Follow horizontally to left edge of chart to read maximum available fluid pressure.

### Air Consumption

1. Locate fluid flow along bottom edge of chart.
2. Follow vertically to bold line for input air pressure.
3. Follow horizontally to right edge of chart to read air consumption.

IPM 101 02/04